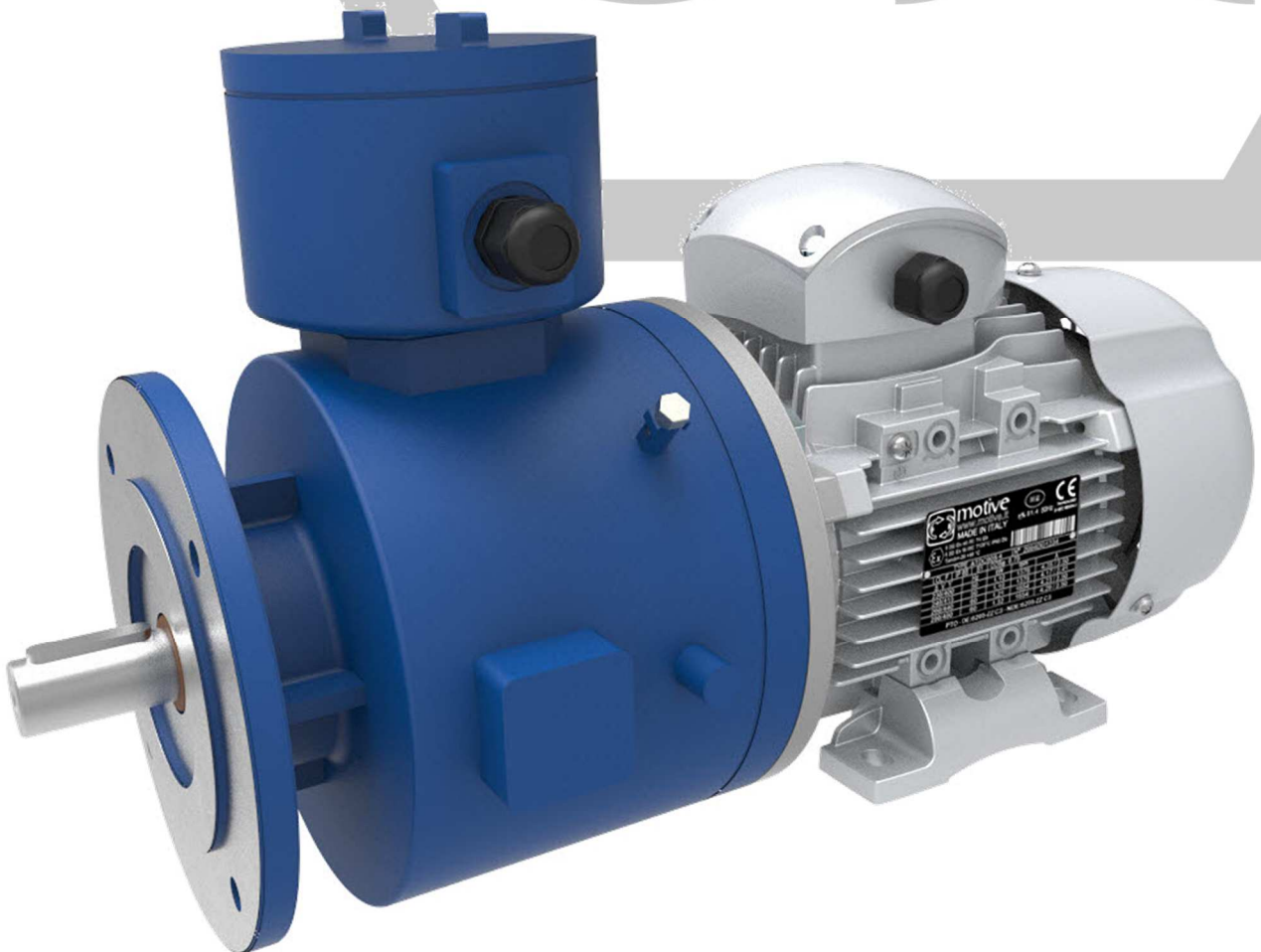


motive

# Manual Addendum brake motors DELPHI ATDC Ex 2GD





**II 2G Ex eb IIC TX Gb**  
**II 2D Ex tb IIIC TXXX°C Db**  
**Tamb=-20 +XX °C**

**TX= T5-T4-T3**  
**TXXX°C= 100°C(T5) - 120°C(T4-T3)**  
**XX °C= (40-45-50-55-60)°C**



### Regulatory references:

Standard (last edition)	Title
Say. 2014/34/EU	Equipment and Protective systems intended for use in Potentially Explosive Atmospheres. Safety requirements
IEC 60034-5:2020/A1:2006	Rotating electrical machines – Part 5: Degrees of protection provided by the integral design of rotating electrical machines (IP code) – Classification Internal methods Tests not related to standards, developed by laboratory or under client's specification
EN IEC 60079-0:2018	Explosive atmospheres – Part 0: Equipment – General requirements
EN IEC 60079-7:2015+AMD1:2017	Explosive atmospheres – Part 7: Equipment protection by increased safety "e"
EN 60079-31:2014	Explosive atmospheres – Part 31: Equipment dust ignition protection by enclosure "t"
IEC 60204-1:2005	Safety of machinery – Electrical equipment of machines – Part 1: General requirements

### Field of application

The plant operator/employer is responsible for dividing up the zones. He must comply with the standards EN 60079-31, EN 60079-14, EN 60079-17 and EN 60079-19 (as applicable) when selecting the suitable motor. Any dust deposits must not be 5mm thick>.

### Declaration of conformity

The declaration of conformity incorporated in this addendum is the document that certifies the conformity of the product with Directive 2014/34/EU.

This certificate is only valid if the instructions specified in the owner's manual attached to the product are followed, together with the additional instructions in this addendum.

### Additional instructions for commissioning, operation and maintenance

Persons who use motors in potentially explosive environments must be instructed in the correct procedure for using the motor in accordance with the general safety and commissioning regulations.

The motors must be protected against overheating with special control devices chosen according to the specific operating conditions according to standards EN60079-7, EN60079-0 and EN60079-31.



All Motive Delphi-Ex motors are equipped as standard with temperature probes (3 PTC thermistors with calibrated degree of intervention based on the temperature class and the maximum ambient operating temperature), to be connected to a suitable release device as per EN 50495 standard.

It is forbidden to open the motor for the connection of electrical cables or to carry out other interventions in the presence of an explosive atmosphere. Before each opening, disconnect the motor from the mains supply and secure it against accidental restarting.

The permitted service of the engines is: S1-S2-S3-S4-S5-S6-S7-S8-S9.

The motors can be powered by any type of frequency converter in compliance with the parameters of the nameplate.

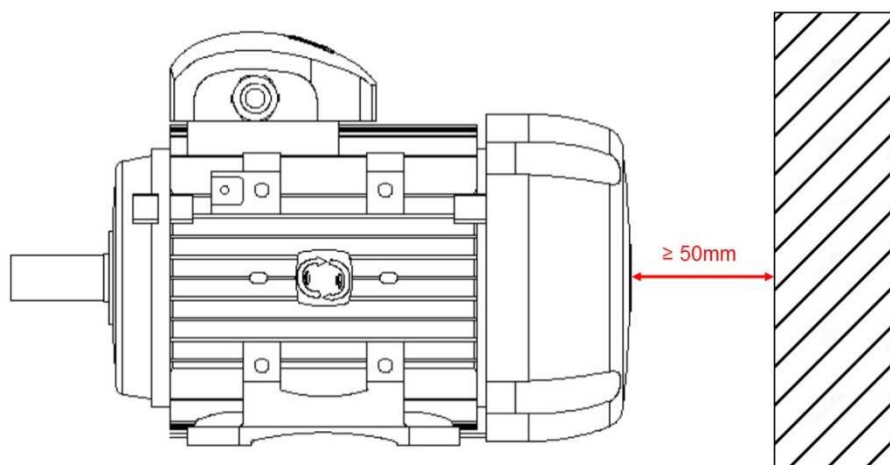
The special condition referring to the mandatory use of the PTC is based on the following:

- In the case of mains power supply (DOL), the internal temperature sensors must be connected to a suitable release device in order to create a system compliant with the EN50495 standard with:
  - EUC hardware fault tolerance = 0;
  - Safety integrity level SIL = 1 (with reference to EN 61508)
- For VFD power, the indoor temperature sensor must be connected:
  - directly to the inverter terminals
  - or as per DOL installation.

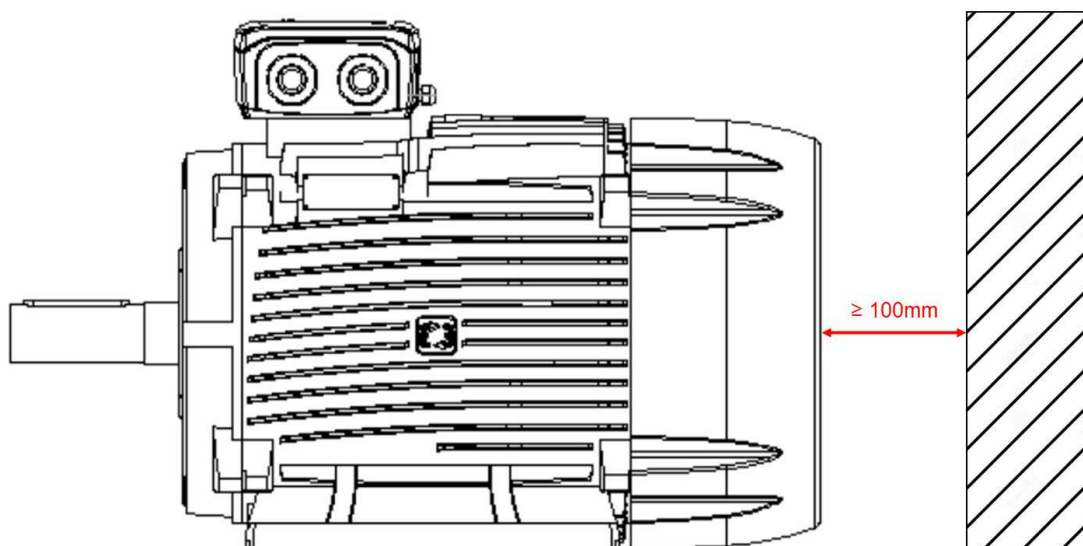
The following ATDC self-braking motor can be used in potentially explosive group II environments, in zone 1/21 only if used as a parking brake and in temperature classes T5/100°C – T4/120°C or T3/120°C with Tamb=-20 +60°C (marking applicable according to the motor selected in the [www.motive.it/configuratore.php](http://www.motive.it/configuratore.php) configurator ).

This addendum is accompanied by the "installation and maintenance rules" manual for the electromagnetic brake on board. It is the end user's obligation to read them and check the requirements.

For proper ventilation of the motor, it is recommended to maintain a minimum distance from walls or encumbrances of 50mm for motors from size 56 to 160 and 100mm from size 180 to 355.



Motor size 56÷160



Motor size 180÷355

Grounding must be done (using the screw and galvanized spring washer supplied) both inside the terminal box (fig.1) and at the appropriate fixing on the casing (fig.2).

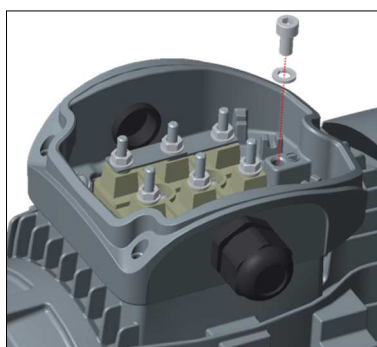


fig.1

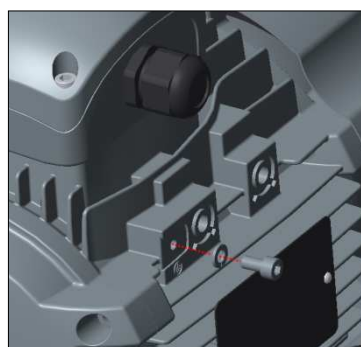


fig.2

The cross-section of the grounding wire connected to the motor housing must be of cross-section as per table 12 (EN 60079-0):

**Table 12 – Minimum cross-sectional area of PE conductors**

Cross-sectional area of phase conductors, $S$ mm <sup>2</sup>	Minimum cross-sectional area of the corresponding PE conductor, $S_p$ mm <sup>2</sup>
$S \leq 16$	$S$
$16 < S \leq 35$	16
$S > 35$	0,5 $S$

For proper tightening of the screws for grounding, please refer to the table below.

	M4	M5	M6	M8	M10	M12	M16
Nm	2	3,2	5	10	20	35	65

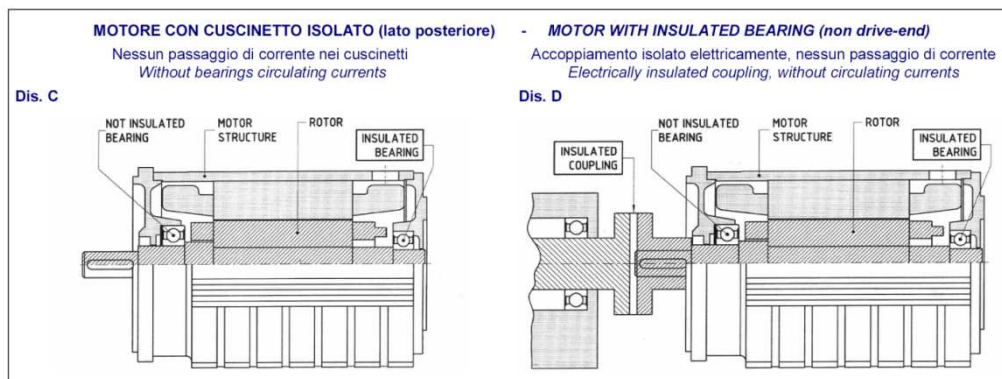
### Use with inverters

When Delphi-Ex motors are used with inverters in addition to the general selection criteria (limit values: rated voltage <830V, peak voltage <2.2kV, voltage gradients <2.2kV/1 $\mu$ s),

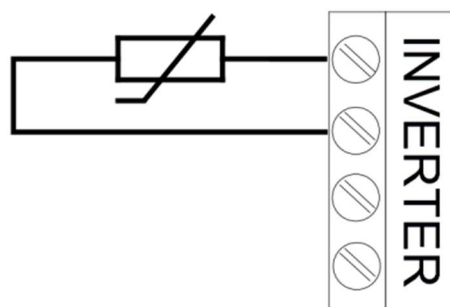
The following elements must be taken into account:

- Motors powered by inverters have a voltage (or current) that is not purely sinusoidal.  
This leads to an increase in losses, vibrations, noise and a different thermal balance of the engine.
- The possibility of peaks is related to the value of the inverter supply voltage and the length of the motor power cable.  
To limit the phenomenon, it is advisable to use special filters connected between the inverter and the motor (mandatory for motor power cables over 50 meters). All Delphi-Ex motors are equipped as standard with a Nomex reinforcing separator film between the phases to protect against voltage peaks.
- Proper grounding of the motor and the machine is very important to avoid voltages and eddy currents in the bearings.  
To prevent current from circulating in the bearing if the motor is not equipped with an insulated bearing, use a suitable filter to reduce the high-frequency harmonic voltage beyond 50kHz.

- Motors with a power of 110kW must be equipped with an insulated bearing.  
The coupling with the machine must be isolated.



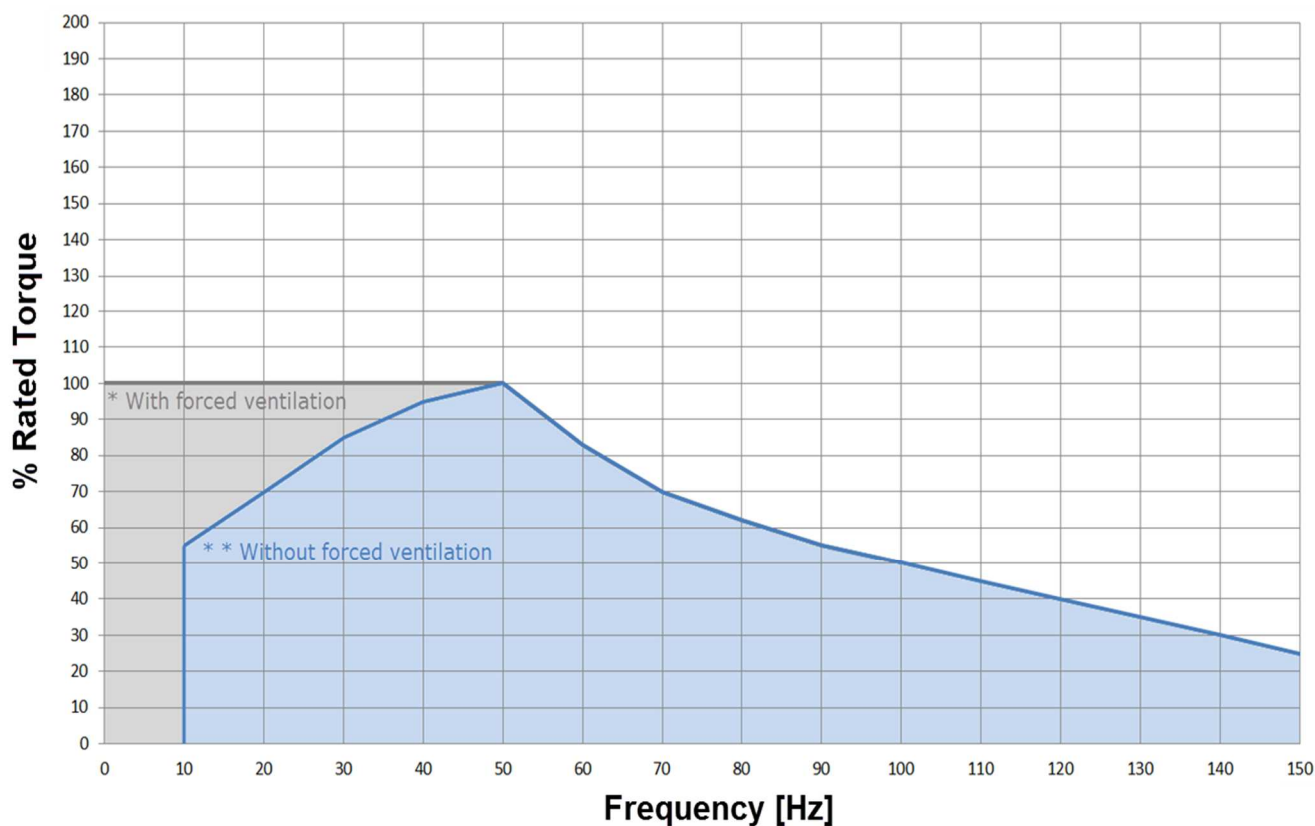
- It is obligatory to connect the temperature probes present to the inverter to protect the motor from overheating that could generate improper use.



These temperature probes have the two terminals for connection identified with a label and located inside the main terminal box.

- For inverter power, the switching frequency must be higher than 4kHz (PWM type), output frequency range of 0÷120Hz for 2-pole motors / 0÷150Hz for 4-6-8 pole motors
- The installation of ATEX servo ventilation is mandatory if the motor is used at frequencies below 50Hz at constant load torque. tag. Motive offers its ATEX-certified servo ventilation
  - II 2G Ex IIC T4 Gb
  - II 2D Ex IIIC T135°C Db
  - Tamb=-20 +40 °C

If the motor is operated at frequencies below 50Hz at quadratic load torque, refer to the following graph for the maximum percentage of load torque allowed.



For the speed/torque ratios, please refer to the following link: <https://www.motive.it/rapporti.php>

When using Delphi-ATDC-Ex 2GD brake motors with inverters, in addition to the general selection criteria and requirements contained in this addendum, the end-user must take into account the maximum applicable brake input speed limits as indicated in the following table.

IEC Size	Maximum applicable speed [rpm]	
<b>63</b>	3600	S1 Service
	4320	S3 Service <b>40%</b>
<b>71</b>	3600	S1 Service
	4320	S3 Service <b>40%</b>
<b>80</b>	3600	S1 Service
	4320	S3 Service <b>40%</b>
<b>90</b>	3600	S1 Service
	4320	S3 Service <b>40%</b>
<b>100</b>	3600	S1 Service
	4000	S3 Service <b>40%</b>

112	3600	S1 Service
	4000	S3 Service 40%
132	3600	S1 Service
	4000	S3 Service 40%
160	3600	S1 Service
	2900	S3 Service 40%
180	2500	S1 Service
	2800	S3 Service 40%
200	2500	S1 Service
	2800	S3 Service 40%
225	2500	S1 Service
	2800	S3 Service 40%
250	1800	S1 Service
	2200	S3 Service 40%
280	1800	S1 Service
	2200	S3 Service 40%

### Installation Warnings

When installing the motor, it is advisable to follow these guidelines:

- Check that there has been no damage during transport.
- Properly clean the system components of packaging residues and any protective products.
- Check that the value of the supply voltage stamped on the motor plate coincides with the mains voltage.
- The contact surfaces of the equipotential bonding connections and the type plate must not be painted.
- Install the motor on a level surface.
- Make sure that the feet or flange are tightened and that, in the case of a direct joint, the motor is perfectly aligned.
- Rotate the shaft manually to check for sliding noises.
- Check the direction of rotation with the transmission disengaged.
- Shrink (extract) the driven elements (e.g. pulley for belt transmission, coupling, etc.), only by means of special devices (hot shrink fit).  
Avoid unauthorised tension on the pulley.
- Do not obstruct ventilation. Exhaust air, including air from other groups, must not be immediately sucked in.
- Check that the motor is properly grounded.



**Maintenance instructions: Clean the motor only with a wet or antistatic cloth.**

### Electrical and thermal protections

Protective devices must be chosen according to the specific operating conditions according to standards EN60079-14 and EN61241-14.

#### External protections:

- protection against overcurrent and short circuits; this protection can be obtained by means of a circuit breaker or with fuses; these must be calibrated to the current of use of the motor.
- protection against overloads, by means of a thermal relay that controls a power contactor upstream of the motor.
- protection against overspeed, for example if the mechanical load can drag the engine and this can become a dangerous condition.
- protection, if particular operating conditions in synchrony with other machines or parts of machines require it, against interruption of the supply voltage or reduction of the same by means of a minimum voltage relay that controls a circuit breaker disconnecting power.

\*Note: An internal thermal protector\*\* is required in an engine that complies with EN 50495. A thermal relay, in fact, is not enough.

#### Internal protections:

The electrical protections on the motor power supply line may be insufficient to ensure overload protection, and it is therefore necessary to overcome this problem by connecting the thermal protections on the windings:

- PTC thermistor (device that positively varies its resistance suddenly once the tripping temperature is reached). All Motive Delphi-Ex engines are equipped with 3 PTC thermistors as standard.

### Power supply cable entry (DELPHI 3PH EX)

Motor Type	56	63-100	112	132	160-180	200-225	250-355	400
Cable gland / cap as standard	2xM16	2xM20	2xM25	2xM32	2xM40	2xM50	2xM63	3xM63
Cable gland services as standard	/	/	/	/	1xM16	1xM16	1xM16	1xM16
Auxiliary inlet cable gland*	/	1xM16	1xM16	1xM16	/	/	/	/

\* with oversized connection box: on request, or as standard with the addition of heaters, PT100 or for ATDC motors

## Lubrication of bearings

Motors with self-lubricated "ZZ" sealed bearings (standard up to and including size 280) do not require periodic lubrication.

The life of the bearings varies from 3 to 5 years depending on the axial and radial loads applied to the shaft and according to the environmental conditions of use of the engine.

Motors provided with the bearing lubrication device shall be lubricated with the engine running in accordance with the lubrication intervals and quantity given in Table 1.

On special roller bearings "NU-NJ" and angular contact bearings "7.." non-standard, the lubrication intervals in table 1 are halved.

Lubrication intervals are halved even for motors powered by inverters, due to vitrification of the grease due to the current passage between the rotor and stator.

For this reason, insulated bearings (special design) are recommended for these inverter-powered motors, especially on motors with a power of  $\geq 110\text{kW}$ .

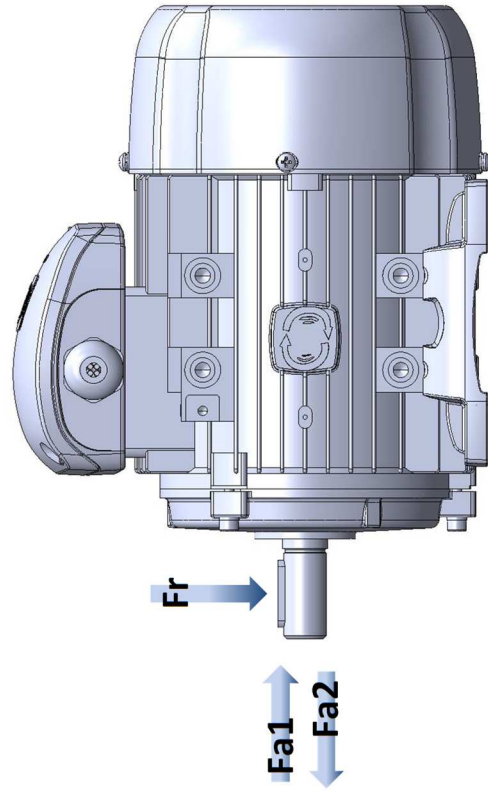
Lithium or polyurea grease with mineral base oil suitable for a maximum operating temperature of at least  $190^{\circ}\text{C}$  can be used.

**Table 1**

Motore	Fat quantity [g]		Lubrication intervals in operating hours			
	2 poles	4-6-8 Poles	2 poles	4 poles	6 poles	8 poles
<b>80</b>	10	10	5000	10000	15000	20000
<b>90</b>	12	12	5000	10000	15000	20000
<b>100</b>	14	14	4800	9600	14400	19200
<b>112</b>	14	14	4800	9600	14400	19200
<b>132</b>	15	15	4400	8800	13200	17600
<b>160</b>	20	20	4000	8000	12000	16000
<b>180</b>	25	25	3800	9300	12400	15200
<b>200</b>	25	25	3800	9300	12400	15200
<b>225</b>	25	25	3800	8900	12200	14800
<b>250</b>	30	30	3100	4100	5900	6900
<b>280</b>	32	40	800	3900	5600	6700
<b>315</b>	36	45	800	2300	4100	5100
<b>355</b>	45	60	700	2000	4000	4500

### Maximum radial and axial loads

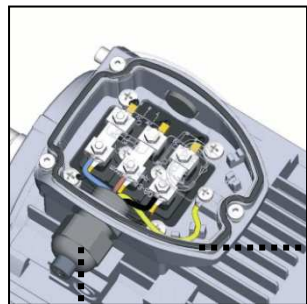
	standard												special for higher axial load						special for higher radial load						
	Fr [N] standard			Fa1 / Fa2 [N] standard			Fa1 / Fa2 [N] special option			Fr [N] special option			Fa1 / Fa2 [N] special option			Fr [N] special option			Fa1 / Fa2 [N] special option						
	3000rpm	1500rpm	1000rpm	750rpm	3000rpm	1500rpm	1000rpm	750rpm	3000rpm	1500rpm	1000rpm	750rpm	3000rpm	1500rpm	1000rpm	750rpm	3000rpm	1500rpm	1000rpm	750rpm	3000rpm	1500rpm	1000rpm	750rpm	
56	275	360			120	160			380	500															
63	300	375			120	160			380	500															
71	330	410	480	500	200	250	300	320	640	800	960	1000													
80	550	690	800	900	260	340	400	460	890	1160	1370	1440													
90	600	770	880	980	340	460	570	650	1480	2000	2480	2080													
100	880	1100	1250	1400	480	590	750	850	1960	2410	3070	2900													
112	1000	1200	1400	1500	480	590	750	850	1960	2410	3070	2900													
132	1350	1700	1950	2200	600	1000	1300	1500	1110	1840	2390	6130													
160	2300	2700	3000	3200	1300	1500	1900	2200	1990	2290	2900	8980													
180	3000	4000	4600	5300	2400	2700	3000	3300	3560	4000	4450	6070													
200	3800	4800	5500	5500	3000	3900	4800	4800	3700	4810	5920	7320													
225	4200	5200	6000	6000	3600	4900	5700	5700	5400	7350	8550	8450													
250	4800	6000	6900	6900	4100	5500	6500	6500	5930	7950	9390	8010													
280	4800	7800	8900	6900	4200	6800	6800	6800	6070	9830	9630	10200													
315	5800	15000	15000	17500	4600	7000	7000	7000	6580	10000	10000	10120													
355	7700	19000	19000	19000	5800	7200	7200	7200	7740	9600	9600	10400													
400	9000	20500	20500		7300	12500	14600		9960	17050	19910														



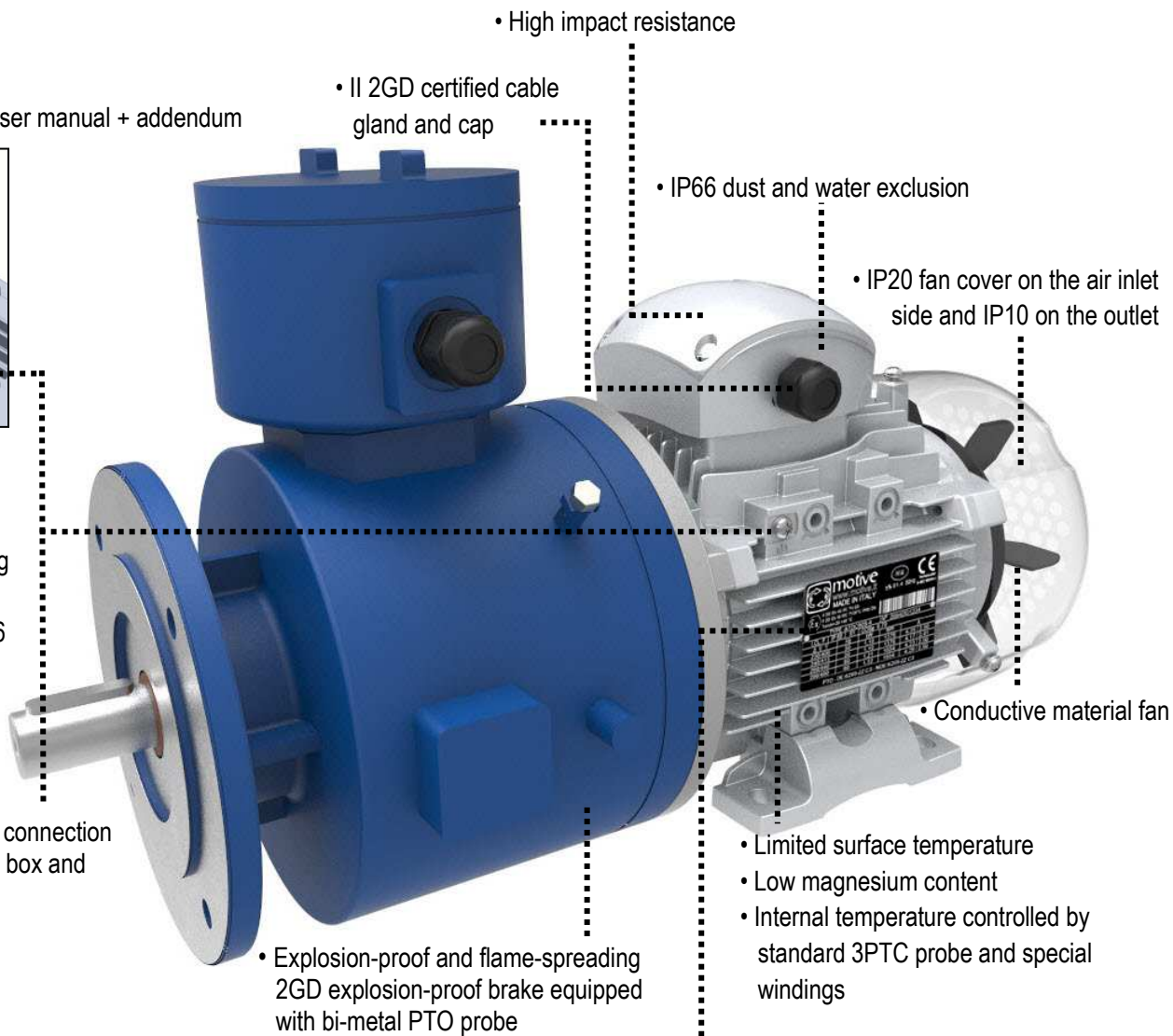
## PECULIAR CHARACTERISTICS DELPHI ATDC Ex 2GD motors



User manual + addendum



- Connectors protected against corrosion, loosening and rotation
- Shock-absorbing seals IP66 protection




Manufacturer's mark

Explosion protection

Motor type

IP protection index

3PTC Probe




**26014 CASTENEDOLO (BS) - ITALY**  
**DES. & MADE IN ITALY**  
FOR CONVERTER OPERATION

Frequency range 0+120Hz - Minimum switching frequency 4Hz


II 2G Ex eb IIC T4 Gb  
II 2D Ex tb IIIC T120°C Db  
Tamb= -20+60°C


SEE THE MANUAL



TÜV IT 20 ATEX 048 X

η%: 50Hz- 60Hz





0948

TYPE 80L-2				N*	
I.G.L.F	IP 65	S1	COSφ	IA/IN	A
Δ V.Y	Hz		kW	rpm	
230/400	50				
240/415	50				
260/440	60				
280/480	60				

3PTC
- DE:
- NDE:
- T<sub>cable</sub> 90°C

Notified body number ATEX certificate number

Year and month of production Serial number

## DELPHI ATDC EX 2GD RATING

### Motor

 For GAS **G**

(with Tamb=-20 +60°C)

CE	Ex	II	2	G	Former	Eb	IIC	T4	GB
①	②	③	④	⑤	⑥	⑦	⑧	⑨	⑩
①	CE marking								
②	ATEX Community Distinctive Mark								
③	Surface industries								
④	An area where explosive atmospheres may be present during normal operations (Zone 1)								
⑤	Protection against gas combustion								
⑥	Explosion Protection: International								
⑦	Equipment designed to avoid the risk of arcs or sparks that could cause an ignition hazard during normal operation (increased safety)								
⑧	For example, for Hydrogen. The equipment marked for group IIC is also suitable for groups IIB and IIA								
⑨	For example, T4 for maximum temperature of 135°C. Also certified for Temperature Class: T5 (max100°C), T3 (max200°C).								
⑩	Extended level of protection in hazardous areas with explosive gas mixtures								

 For POWDERS **D**

(with Tamb=-20 +60°C)

CE	Ex	II	2	D	Former	tb	IIIC	T120°C	Db
①	②	③	④	⑤	⑥	⑦	⑧	⑨	⑩
①	CE marking								
②	ATEX Community Distinctive Mark								
③	Surface industries								
④	An area where explosive atmospheres, in the form of a flammable cloud of dust in the air, may be present during normal operations (Zone 21)								
⑤	Protection against dust combustion								
⑥	Explosion Protection: International								
⑦	Protection by case								
⑧	For conductive powder. The equipment marked for group IIIC is also suitable for groups IIIB and IIIA								
⑨	For example, maximum surface temperature of 120°C in class T4-T3; 100°C class T5								
⑩	Extended level of protection in flammable dust atmospheres								

## BRAKE

For GAS **G**

CE	Ex	II	2	G	Former	Db	IIC	T5	GB
①	②	③	④	⑤	⑥	⑦	⑧	⑨	⑩
①	CE marking								
②	ATEX Community Distinctive Mark								
③	Surface industries								
④	An area where explosive atmospheres may be present during normal operations (Zone 1)								
⑤	Protection against gas combustion								
⑥	Explosion Protection: International								
⑦	Explosion-proof enclosure with through-beam connector cable outlet								
⑧	Marked case for Group IIC substances								
⑨	T5 for maximum surface temperature of 100°C								
⑩	Extended level of protection in hazardous areas with explosive gas mixtures								

For POWDERS **D**

CE	Ex	II	2	D	Former	tb	IIIC	T100°C	IP66	Db
①	②	③	④	⑤	⑥	⑦	⑧	⑨		⑩
①	CE marking									
②	ATEX Community Distinctive Mark									
③	Surface industries									
④	An area where explosive atmospheres, in the form of a flammable cloud of dust in the air, may be present during normal operations (Zone 21)									
⑤	Protection against gas combustion									
⑥	Explosion Protection: International									
⑦	Protection by case									
⑧	For conductive powder									
⑨	Maximum surface temperature of 100°C									
⑩	Extended level of protection in flammable dust atmospheres									



Motive s.r.l.  
Via Le Ghiselle, 20  
25014 Castenedolo (BS)  
Tel.: +39 030 2677087  
Fax: +39 030 2677125  
motive@motive.it  
www.motive.it

## Declaration of EU Conformity

Motive srl based in Castenedolo (BS) - Italy

declares as manufacturer, under its own exclusive responsibility, that its range of

**asynchronous electric motors of the series "DELPHI"**

complies with the following directives and standards:

- EC Directive 2014/34/EU: concerning "equipment and Protective systems intended for use in Potentially Explosive Atmospheres"

Marking:



II 2G Ex eb IIC T6..T3 Gb  
II 2D Ex tb IIIC T120°C..T85°C Db

Certificate Number (edit by TÜV Italia, Notified Body Number 0948):  
TÜV IT 20 ATEX 048 X Rev 1

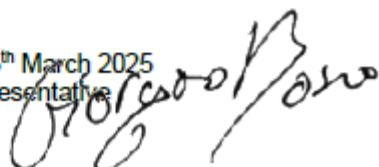
as in accordance to the European Standards:

- IEC 60034-5:2000/A1:2006 Rotating electrical machines – Part 5: Degrees of protection provided by the integral design of rotating electrical machines (IP code) – Classification Internal methods Tests not related to standards, developed by laboratory or under client's specification
- EN 60079-0:2018 Explosive atmospheres – Part 0: Equipment – General requirements
- EN 60079-7:2015+AMD1:2017 Explosive atmospheres – Part 7: Equipment protection by increased safety "e"
- EN 60079-31:2014 Explosive atmospheres – Part 31: Equipment dust ignition protection by enclosure "t"
- IEC 60204-1:2005 Safety of machinery – Electrical equipment of machines – Part 1: General requirements

The machines are supplied without electrical connections to the control panels or any pneumatic and hydraulic supply connections.

It is therefore forbidden to use them until the plant into which they are incorporated has been declared as compliant with the provisions of the Machinery Directive 2006/42/EC and Directive 2014/34/EU and plant's analysis was not done as compliant with Directive 99/92/EC.

Castenedolo, 5<sup>th</sup> March 2025  
The legal Representative



# CERTIFICATE

CERTIFICAT

CERTIFICADO

СЕРТИФИКАТ

認證證書

CERTIFICATE

ZERTIFIKAT

[1] **EU-TYPE EXAMINATION CERTIFICATE**

[2] **Equipment or Protective System intended for use  
in potentially explosive atmospheres  
Directive 2014/34/EU**

[3] EU-Type Examination Certificate number:

**TÜV IT 20 ATEX 048 X Rev 1**

[4] Equipment or Protective System: **Three-phase asynchronous electric motors DELPHI series**

[5] Manufacturer: **MOTIVE S.r.l.**

[6] Address: **Via Le Ghiselle 20  
I-25014 CASTENEDOLO (BS) ITALY**

[7] This equipment or protective system and any acceptable variation thereto is specified in the schedule to this certificate and the documents therein referred to.

[8] TÜV Italia, notified body no. 0948 in accordance with Article 17 of Directive 2014/34/EU of the European Parliament and of the Council, dated 28 February 2014, certifies that this product has been found to comply with the Essential Health and Safety Requirements relating to the design and construction of products intended for use in potentially explosive atmospheres given in Annex II to the Directive.

The examination and test results are recorded in confidential report no. R 20 EX 048 Rev. 1.

[9] Compliance with the Essential Health and Safety Requirements has been assured by compliance with:

**EN IEC 60079-0:2018 EN IEC 60079-7:2015/A1:2018 EN 60079-31:2014**

[10] If the sign "X" is placed after the certificate number, it indicates that the equipment or protective system is subject to special conditions for safe use specified in the schedule to this certificate.

[11] This EU - TYPE EXAMINATION CERTIFICATE relates only to the design and construction of the specified product. Further requirements of the Directive apply to the manufacturing process and supply of this product. These are not covered by this certificate.

[12] The marking of the product shall include the following:



**II 2G Ex eb IIC T6..T3 Gb  
II 2D Ex tb IIIC T85°C..T120°C Db**

This certificate may only be reproduced in its entirety and without any change, schedule included.

Issue date: 12<sup>th</sup> March 2025

1<sup>st</sup> Issue date: 17<sup>th</sup> February 2021



PRD N° 081B

Membro degli Accordi di Mutuo Riconoscimento  
EA, IAF e ILAC  
Signatory of EA, IAF and ILAC Mutual  
Recognition Agreements



**TÜV Italia S.r.l.  
Notified body N° 0948**

*Alberto Garelli*

**Industry Service - Real Estate & Infrastructure  
Managing Director**

TÜV Italia has been authorized by Italian government to operate as notified body for the certification of equipment or protective system intended for use in potentially explosive atmospheres. This document is not valid without official signature and logo. The internal reference code is 722337347.

page 1 di 14





# NOTIFICATION

[1] **PRODUCT QUALITY ASSURANCE NOTIFICATION**

[2] **Equipment or Protective System or Component intended for use  
in potentially explosive atmospheres  
Directive 2014/34/EU**

[3] Notification number:

**TÜV IT 21 ATEX 021 Q**

[4] Equipment or Component as listed: Electric Motor, Frequency Converter

Protection concepts: "e" and "t"

[5] Manufacturer: MOTIVE S.r.l.  
Via Le Ghiselle, 20  
I-25014 Castenedolo (BS) - ITALIA

[6] Sites audited: identical

[7] TÜV Italia, notified body no. 0948 in accordance with the Council Directive 2014/34/EU of 26 February 2014, notifies that the manufacturer has a product quality assurance system which complies to Annex VII of the Directive.

[8] This notification is based on audit report no. R 21 EX 015 issued on 02.03.2021

This notification can be withdrawn if the manufacturer no longer satisfies the requirement of Annex VII.

Results of periodical re-assessment of the quality system are a part of this notification.

[9] This notification is valid until <01.03.2024> and can be withdrawn if the Manufacturer does not satisfy the production quality assurance re-assessment.

[10] According to Article 16 paragraph 3 of the Directive 2014/34/EU the CE marking shall be followed by the identification no. 0948 identifying the notified body involved in the production control stage.

This notification may only be reproduced in its entirety and without any change.

First issue date: 26.03.2021

Issue date: 26.03.2021



PRD N° 081B

Membro degli Accordi di Mutuo Riconoscimento  
EA, IAF e ILAC  
Signatory of EA, IAF and ILAC Mutual  
Recognition Agreements



TÜV Italia S.r.l.  
Notified Body N° 0948



Alberto Carelli

Industry Service - Real Estate & Infrastructure  
Managing Director

TÜV Italia has been authorized by Italian government to operate as notified body for the certification of equipment or protective system intended for use in potentially explosive atmospheres. This document is not valid without official signature and logo. The internal reference code is 72223318

page 1 of 2

PEX-01-M011\_r10 del 07/08/2018



**Motive s.r.l.**  
Via Le Ghiselle, 20  
25014 Castenedolo (BS)  
Tel.: +39 030 2677087  
Fax: +39 030 2677125  
motive@motive.it  
www.motive.it

## Декларация соответствия UA

Motive srl с главным офисом в Castenedolo (BS) – Italy (Италия)

заявляет как производитель под свою исключительную ответственность, что его продукция

### асинхронные электродвигатели серии «DELPHI»

соответствует следующим директивам и стандартам:

- Директива ЕС **2014/34/UE**: относительно «оборудования и защитных систем, предназначенных для использования в потенциально взрывоопасных средах»

Маркировка:



II 2G Ex eb IIC T4 Gb  
II 2D Ex tb IIC T135°C Db  
Tamb=-20 +40 °C

Маркировка\*:



II 2G Ex eb IIC T3 Gb  
II 2D Ex tb IIC T135°C Db  
Tamb=-20 +50 °C

\* Маркировка применима только к двигателям DELPHI Ex IE3

### Номер сертификата

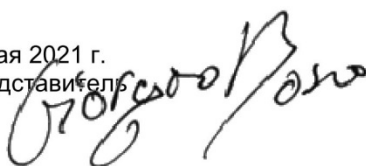
(отредактировал СЕРТИС-ЦЕНТР, номер нотифицированного органа UA.TR.115): **СЦ 21.A.0648 X**

как по украинским стандартам:

- **ДСТУ EN 60079-0:2017 (ЗІ ЗМІНОЮ 11:2017)** Взрывоопасные среды. Часть 0. Оборудование. общие требования
- **ДСТУ EN 60079-7:2017** Взрывоопасные среды. Часть 7. Электрическое оборудование. Вид взрывозащиты: повышенная безопасность «е»
- **ДСТУ EN 60079-31:2017** Взрывоопасные среды. Часть 31. Электрическое оборудование. Вид защиты от воспламенения пыли: оболочка «t»

Машины поставляются без электрических подключений к панелям управления или без каких-либо пневматических и гидравлических подключений.  
Поэтому запрещено использовать их до тех пор, пока завод, в который они включены, не будет объявлен соответствующим положениям Директивы по машинному оборудованию **2006/42/ЕС** и Директивы **2014/34/UE**, а анализ предприятия не был проведен как соответствующий Директиве **99/92/ЕС**.

Castenedolo, 11 мая 2021 г.  
Юридический представитель





## ТОВ «СЕРТИС-ЦЕНТР»

ОРГАН З ОЦІНКИ ВІДПОВІДНОСТІ ПРОДУКЦІЇ

09113, Україна, Київська область, м. Біла Церква, вул. Фастівська 23  
Тел.: +38 (0456) 381-700, E-mail: info@sertis.com.ua, Web: www.sertis.com.ua



10296  
DСТU EN ISO/IEC 17065

### (1) СЕРТИФІКАТ ЕКСПЕРТИЗИ ТИПУ

(2) Технічний регламент обладнання та захисних систем, призначених для використання в потенційно вибухонебезпечних середовищах (постанова КМУ від 28 грудня 2016 р. № 1055)

(3) Номер сертифіката: **СЦ 21.0648 X**

Номер видання: **0**

(4) Обладнання: **3-фазні асинхронні електродвигуни серії DELPHI**

(5) Заявник: **Motive srl, Via Le Ghiselle, 20 - 25014 Castenedolo (BS), Italy - Італія**

(6) Виробник: **Motive srl, Via Le Ghiselle, 20 - 25014 Castenedolo (BS), Italy - Італія**

(7) Опис обладнання та його припустимих варіацій, а також документація, на яку даються посилання, наведені у додатку до сертифіката.

(8) ТОВ «СЕРТИС-ЦЕНТР», орган з оцінки відповідності за реєстраційним номером UA.TR.145, призначений виконувати роботи з оцінки відповідності продукції вимогам Технічного регламенту, затвердженого постановою КМУ від 28 грудня 2016 р. № 1055, посвідчує, що була встановлена відповідність вказаного обладнання суттєвим вимогам стосовно захисту здоров'я та безпеки відносно технічного проекту та конструкції обладнання, призначеного для використання в потенційно вибухонебезпечних середовищах, які наведені в Технічному регламенті.  
Результати досліджень та випробувань наведені в протоколі оцінки № 743/OB-21 від 07.05.2021 р.

(9) Відповідність обладнання суттєвим вимогам стосовно захисту здоров'я та безпеки була забезпечена виконанням вимог наступних стандартів:

**DСТU EN 60079-0:2017 (зі зміною 11:2017), DСТU EN 60079-7:2017,  
DСТU EN 60079-31:2017**

(10) Якщо в кінці номера сертифіката присутній знак «X», то це посвідчує, що до обладнання застосовуються особливі умови використання, які наведені у додатку до цього сертифіката.

(11) Цей сертифікат виданий внаслідок проведення оцінки відповідності за Модулем В (експертиза типу) згідно з Технічним регламентом та стосується лише технічного проекту та конструкції зазначеного обладнання згідно з узгодженою технічною документацією. Введення в обіг зазначеного обладнання згідно з Технічним регламентом можливо лише за умови застосування додаткових модулів оцінки відповідності.

(12) Маркування обладнання повинно містити наступне:

 **II 2G Ex eb IIC T4 Gb, II 2D Ex tb IIC T135 °C Db**

**II 2G Ex eb IIC T3 Gb, II 2D Ex tb IIC T135 °C Db, -20 °C ≤ Ta ≤ +50 °C - для виконання ІЕЗ**

Керівник органу з оцінки відповідності

К.В. Меженков



м. Біла Церква, 11.05.2021 р.

Аркуш 1 з 3

Цей сертифікат з додатком може бути відтворений лише повністю та без змін.



# IECEx Certificate of Conformity

## INTERNATIONAL ELECTROTECHNICAL COMMISSION IEC Certification Scheme for Explosive Atmospheres

for rules and details of the IECEx Scheme visit [www.iecex.com](http://www.iecex.com)

Certificate No.: IECEx INE 11.0037X Issue No.: 1  
Status: Current Issue No. 1 (2018-03-14)  
Date of issue: 2018-03-14 Issue No. 0 (2012-02-24)  
Page 1 of 4

Applicant: COEL MOTORI S.r.l.  
Via compagnia, 40  
I - 20090 Fizzonasco di Pieve Emanuele (MI)  
Italy

Equipment: Electromagnetic Brakes type VIS II ...

Optional accessory:

Type of Protection: db and tb

Marking:

Ex db IIB or IIC T5, T4 or T3 Gb  
Ex tb IIB  
Ex tb IIC T100°C, T135°C or T200°C Db  
IP66

Approved for issue on behalf of the IECEx

Thierry HOUËIX

Certification Body:

Position: Ex Certification Officer

Signature: *(for printed version)*



Date: 2018-03-14

1. This certificate and schedule may only be reproduced in full.
2. This certificate is not transferable and remains the property of the issuing body.
3. The Status and authenticity of this certificate may be verified by visiting the Official IECEx Website.

Certificate issued by:

INERIS  
Institut National de l'Environnement Industriel  
et des Risques, BP n°2  
Parc Technologique ALATA  
France



# IECEx Certificate of Conformity

Certificate No.: IECEx INE 11.0037X

Issue No.: 01  
Page 2 of 4

Annex: IECEx INE 11.0037X-01\_Annex.pdf

## MARKING

Marking has to be readable and indelible; it has to include the following indications:

### A- Electromagnetic brake for group II:

- COEL MOTORI S.r.l
  - I - 20090 Fizzonasco di Pieve Emanuele
  - VIS II...(\*)
  - IECEx INE 11.0037X
  - (Serial number)
  - Ex db IIB or IIC T(\*\*) Gb
  - T<sub>amb</sub> : (\*\*)
  - T<sub>cable</sub> : 80 °C
  - IP66
  - **WARNING: DO NOT OPEN WHEN ENERGIZED IF AN EXPLOSIVE ATMOSPHERE MAY BE PRESENT.**
- (\*) One of the following types : VIS II 80/90, VIS II 100/112, VIS II 132/160, VIS II 180/200, VIS II 250/280, VIS II P25, VIS II P150, VIS II P315, VIS II P350 or VIS II P750.

(\*\*) See table below.

### B- Electromagnetic brake for group III:

- COEL MOTORI S.r.l
  - I - 20090 Fizzonasco di Pieve Emanuele
  - VIS II...(\*)
  - IECEx INE 11.0037X
  - (Serial number)
  - Ex-tb IIC T(\*\*) Db
  - T<sub>amb</sub> : (\*\*)
  - T<sub>cable</sub> : 80 °C
  - IP66
  - **WARNING: DO NOT OPEN WHEN ENERGIZED IF AN EXPLOSIVE ATMOSPHERE MAY BE PRESENT.**
- (\*) One of the following types : VIS II 63/71, VIS II 80/90, VIS II 100/112, VIS II 132/160, VIS II 180/200, VIS II 250/280, VIS II P25, VIS II P150, VIS II P315, VIS II P350 or VIS II P750.

(\*\*) See table below.

